



Viron Cartridge Filter

A product of today's thinking and global challenges

- ✓ **Reduced cleaning and maintenance**
- ✓ **Save up to 12,000 litres of water per year**
- ✓ **Reduced power consumption**
- ✓ **Antimicrobial protection for healthier and safer pools**



Viron Cartridge Filter

The Viron cartridge filter is engineered for outstanding reliability and performance for your swimming pool or spa. Viron's filtration system is finer than a sand or glass media filter, and incorporates Microban® antimicrobial protection.

With less plumbing and no backwash line, installing and maintaining your Viron filter is so simple, almost anyone in the family can do it. The Viron is designed to save between 8,000 and 20,000 litres of water each year, by only requiring once a year cleaning for most residential pools. Made for Australian conditions Viron doesn't need regular flushing like sand or glass media filters, which means you save the equivalent of 37 hours of shower time in water each year.

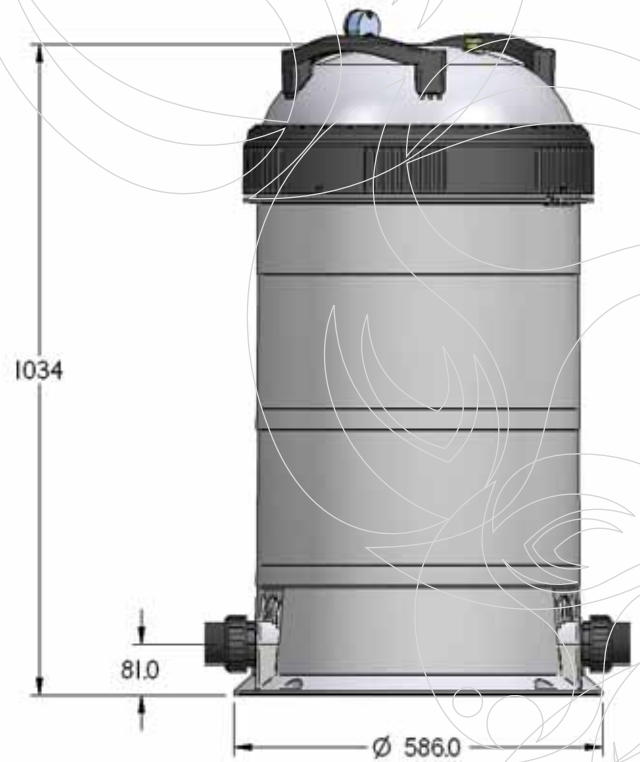
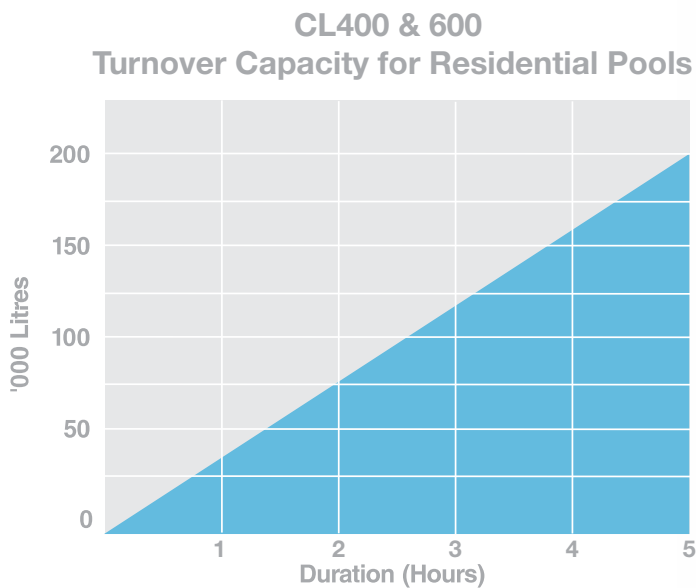
Viron's secret lies in its low maintenance. With the use of four state of the art antimicrobial filter elements, they have enormous capacity so they only require cleaning once a year. The antimicrobial elements inhibit the growth of bacteria, mould and mildew leaving you with a crystal clean swimming pool or spa. An inbuilt automatic air bleed system also reduces the manual air bleeding process simplifying your routine maintenance program.



The Viron C400 and C600 are made from quality components. The injection moulded design is made up of non-corrosive materials and provides ready access to all elements. Fine tolerance manufacturing, increases the life and reduces ongoing maintenance.

The Viron CL series of cartridge filters is available for 38m² or 57m² filter areas, making them suitable for any pool or commercial spa. The Viron Cartridge filters are covered by a limited 5 year warranty on the tank and 12 months on the other components.

To find out more about the Viron range visit astralpool.com.au



Model	Filter Area	Max. Flow Rate	Weight	A Dimension	B Dimension
Viron CL 400	38	800	48	734	586
Viron CL 600	57	800	50	1034	586



ASTRALPOOL 

 FLUIDRA GROUP

Available from:

Melbourne: 03 8796 8600
Sydney: 02 9853 2100
Brisbane: 07 3308 5400
Gold Coast: 07 5552 2600

Townsville: 07 4750 3100
Adelaide: 08 8152 7600
Perth: 08 9350 2600
sales@astralpool.com.au

www.astralpool.com.au